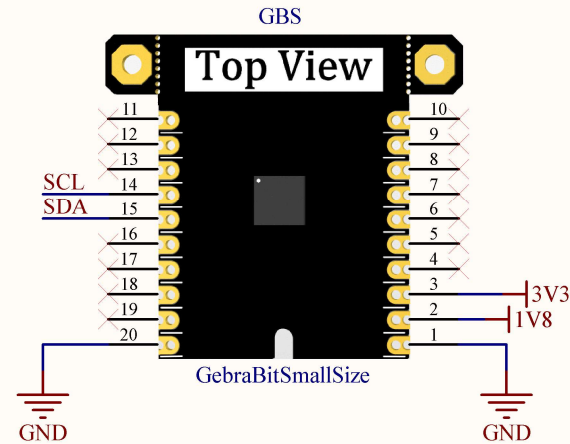
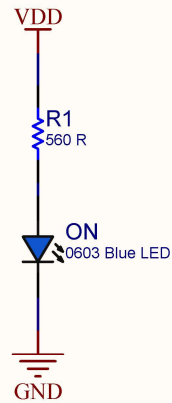


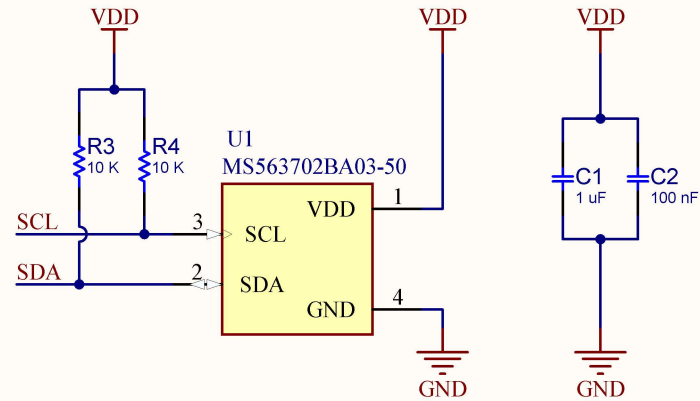
POWER SEL



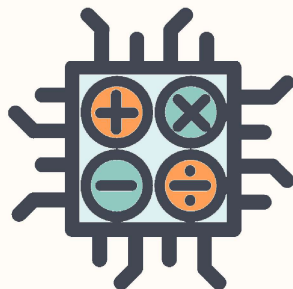
GEBRABIT PINOUT



POWER LED



MS563702BA03



GebraBit

[HTTPS://GEBRABIT.COM/](https://gebrabit.com/)

Title: GebraBit MS563702BA03 Schematics		Variant: [No Variations]
Page Contents: GebraBit MS563702BA03 Circuits		Checked by: R.A
Size: SMALL	SKU CODE: GB641EN	Revision: V2.0
Date: 05/24/2023	Designed by: GEBRABIT	Sheet 1 of 1