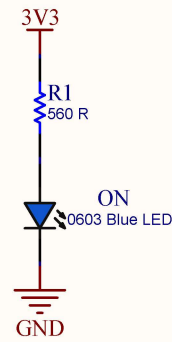
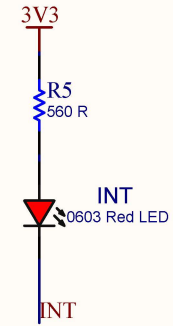


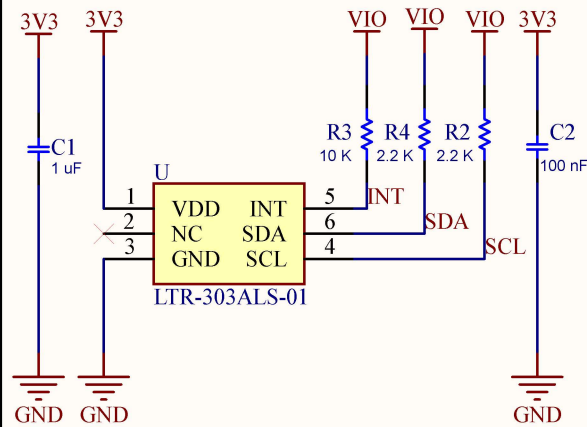
LOGIC LEVEL



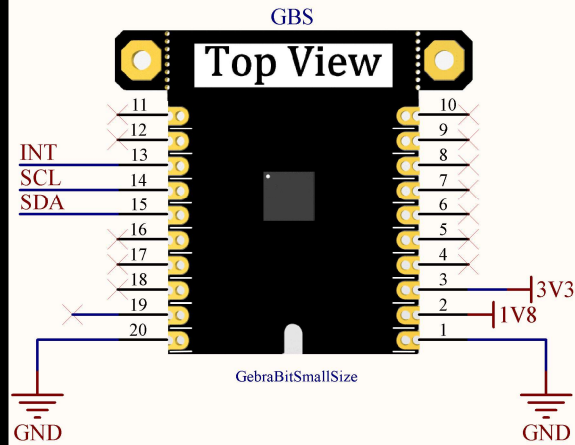
POWER LED



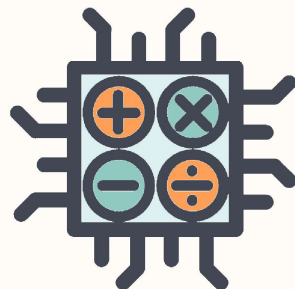
INTERRUPT LED



LTR-303ALS-01 CIRCUIT



GEBRABIT PINOUT



GebraBit

[HTTPS://GEBRABIT.COM/](https://gebrabit.com/)

Title: GebraBit LTR-303ALS-01 Schematics		Variant: [No Variations]	
Page Contents: GebraBit LTR-303ALS-01 Circuits		Checked by: M.Z	
Size: Small	SKU CODE: GB612EN	Revision: V2.0	
Date: 06/17/2023	Designed by: GEBRABIT	Sheet 1	of 1