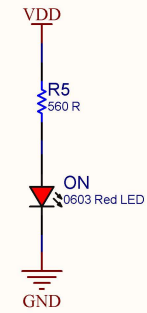
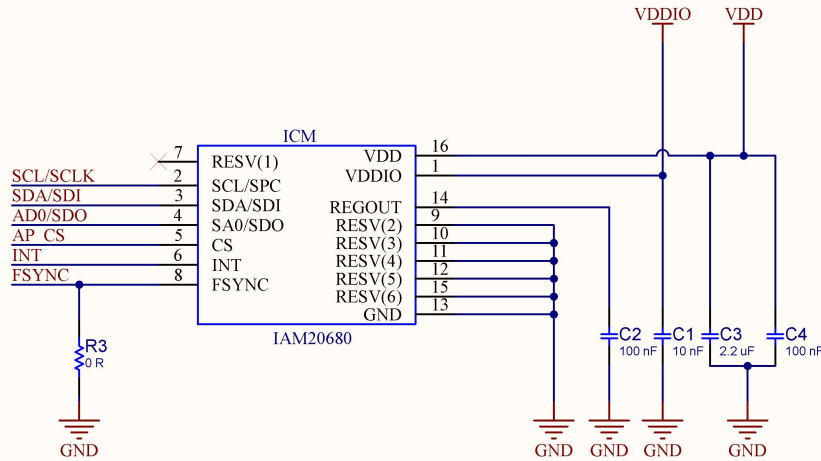


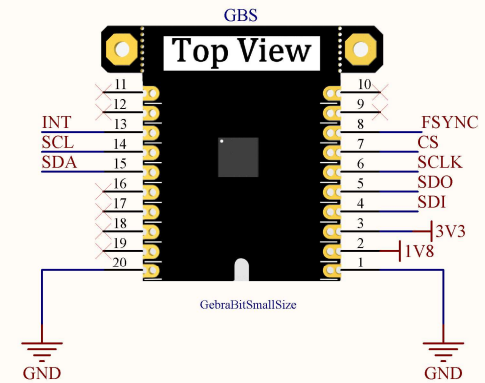
POWER



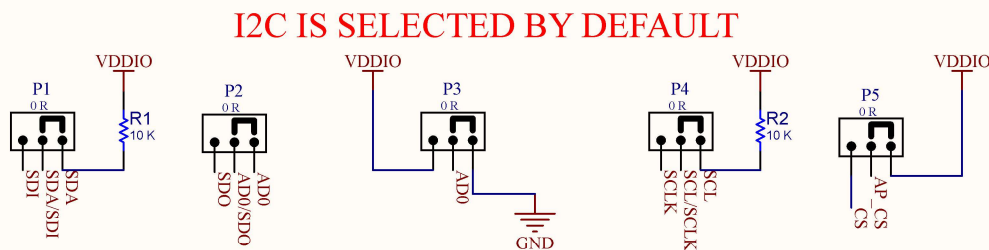
POWER LED



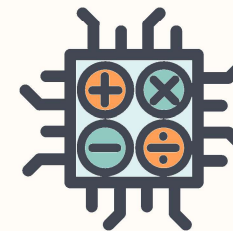
IAM20680



GEBRABIT PINOUT



PROTOCOL SELECTOR



GebraBit
[HTTPS://GEBRABIT.COM/](https://gebrabit.com/)

Title: GebraBit IAM20680 Schematics		Variant: [No Variations]
Page Contents: GebraBit IAM20680 Circuits		Checked by: M.Z
Size: Small	SKU CODE: GB302IM	Revision: V2.0
Date: 10/03/2022	Designed by: GEBRABIT	Sheet 1 of 1