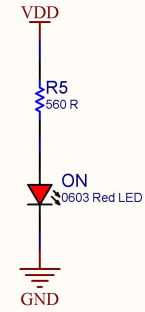
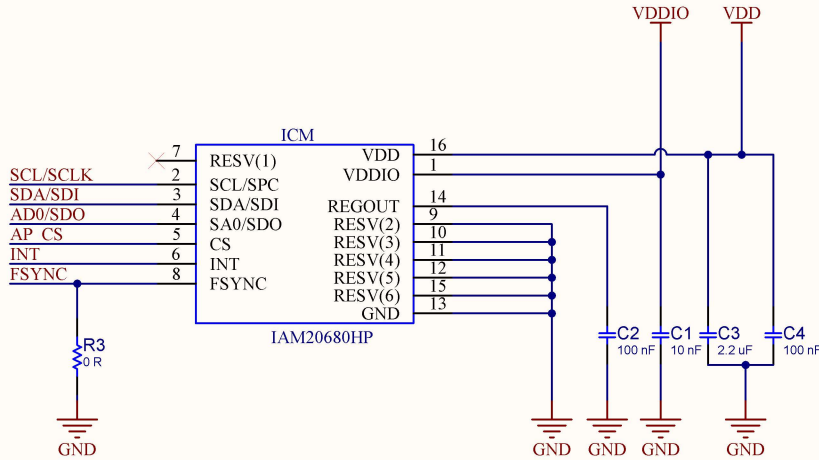


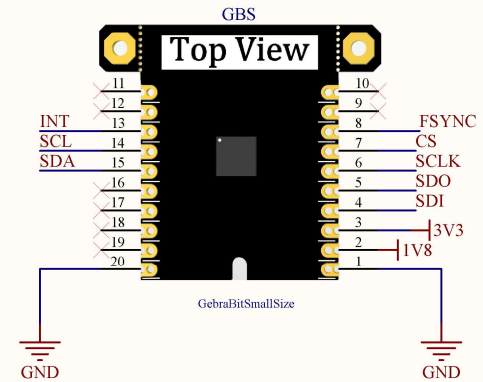
POWER



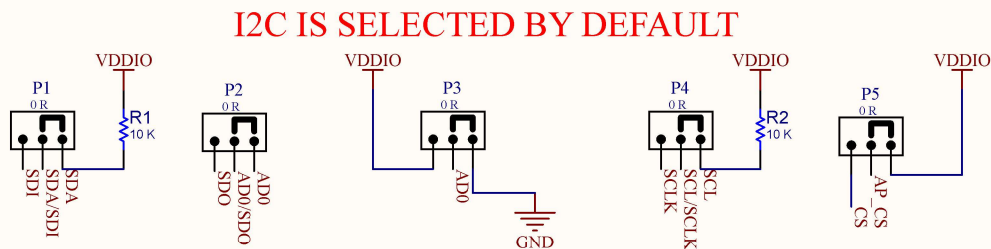
POWER LED



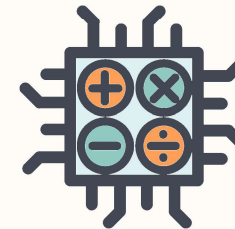
IAM20680HP



GEBRABIT PINOUT



PROTOCOL SELECTOR



GebraBit
[HTTPS://GEBRABIT.COM/](https://gebrabit.com/)

Title: GebraBit IAM20680HP Schematics		Variant: [No Variations]	
Page Contents: GebraBit IAM20680HP Circuits		Checked by: M.Z	
Size: Small	SKU CODE: GB303IM	Revision: V2.0	
Date: 10/03/2022	Designed by: GEBRABIT	Sheet 1	of 1