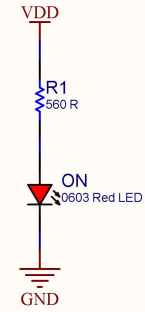
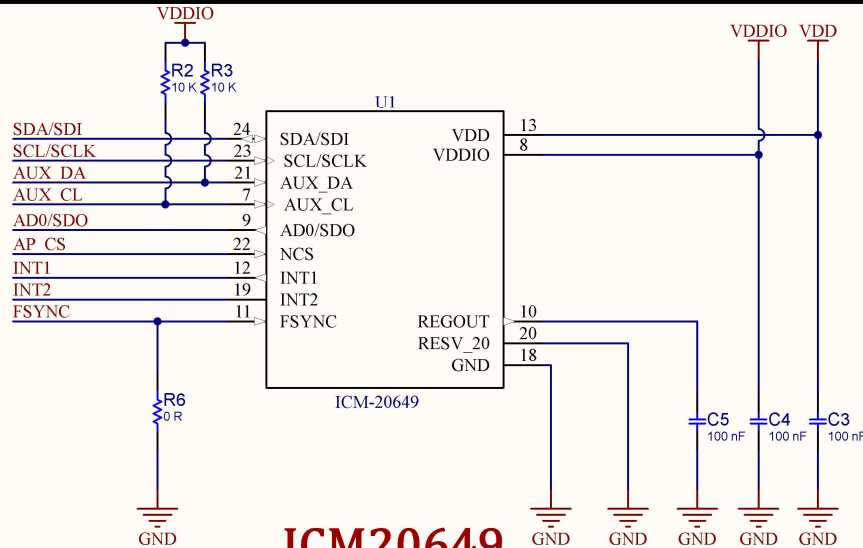


POWER

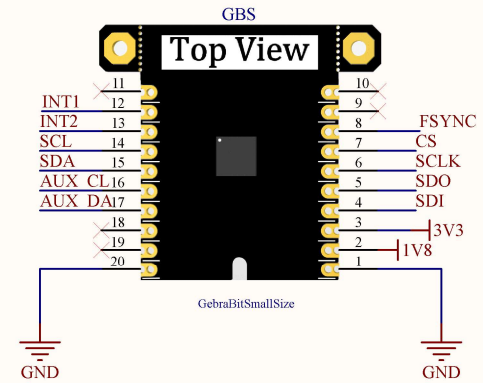


POWER LED

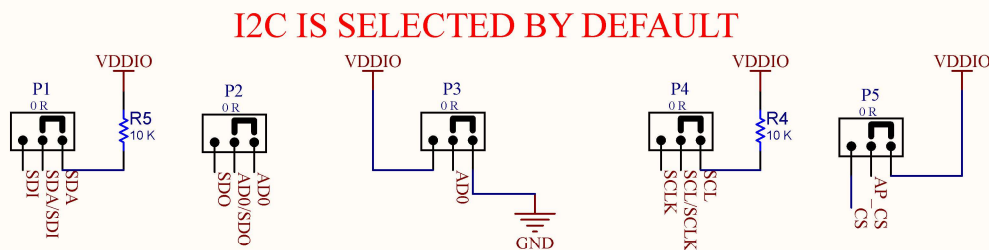


ICM20649

AUX I2C IN V2.0 IS NOT ACCESSIBLE DUE TO AUX_DA IS SHORTED TO GND.

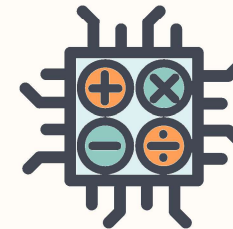


GEBRABIT PINOUT



I2C IS SELECTED BY DEFAULT

PROTOCOL SELECTOR



GebraBit
[HTTPS://GEBRABIT.COM/](https://gebrabit.com/)

Title: GebraBit ICM20649 Schematics		Variant: [No Variations]	
Page Contents: GebraBit ICM20649 Circuits		Checked by: M.Z	
Size: Small	SKU CODE: GB305IM	Revision: V2.0	
Date: 10/03/2022	Designed by: GEBRABIT	Sheet 1	of 1