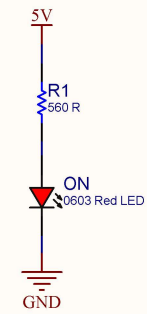
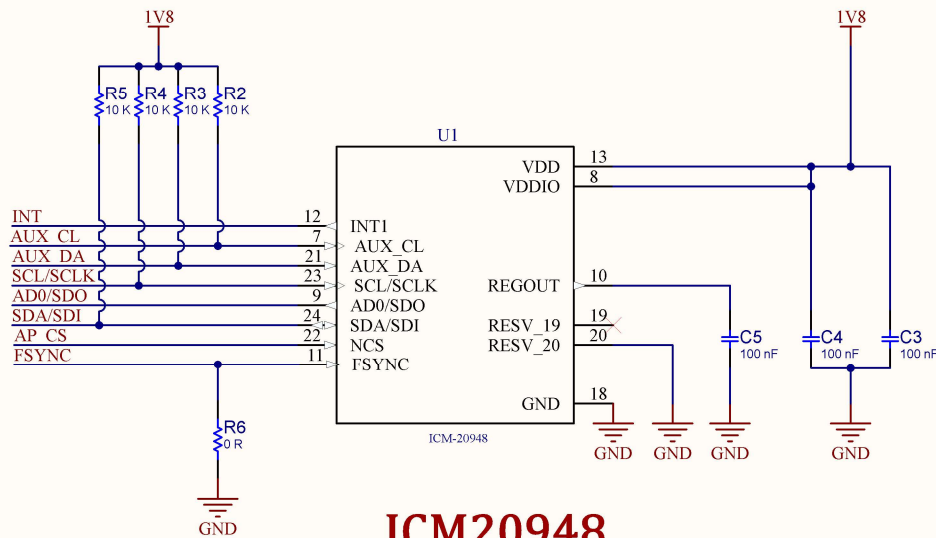


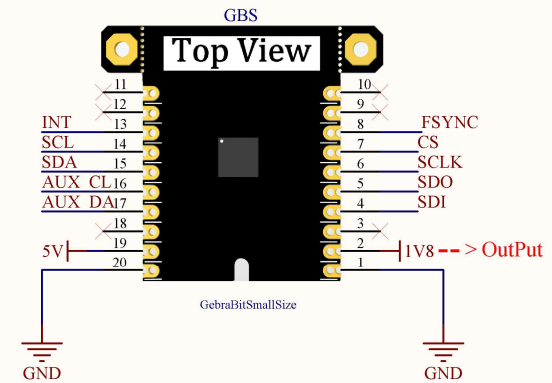
POWER



POWER LED

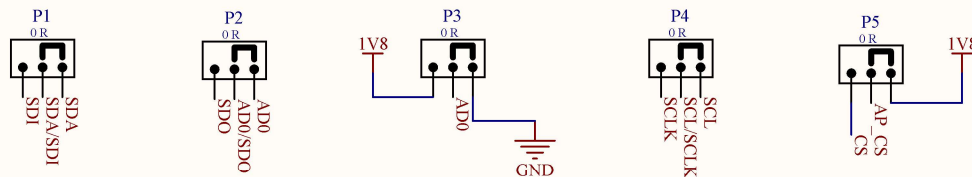


ICM20948



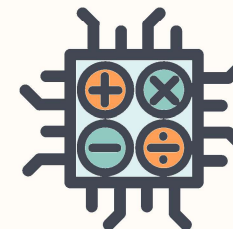
GEBRABIT PINOUT

I2C IS SELECTED BY DEFAULT



WHEN SPI IS SELECTED R4&R5 MUST NOT BE ASSEMBLED

PROTOCOL SELECTOR



GebraBit
[HTTPS://GEBRABIT.COM/](https://gebrabit.com/)

Title: GebraBit ICM20948 Schematics		Variant: [No Variations]
Page Contents: GebraBit ICM20948 Circuits		Checked by: M.Z
Size: Small	SKU CODE: GB308IM	Revision: V2.0
Date: 10/03/2022	Designed by: GEBRABIT	Sheet 1 of 1