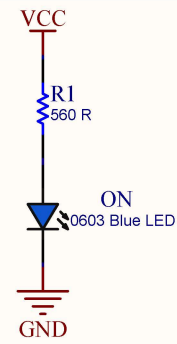
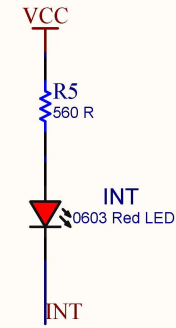


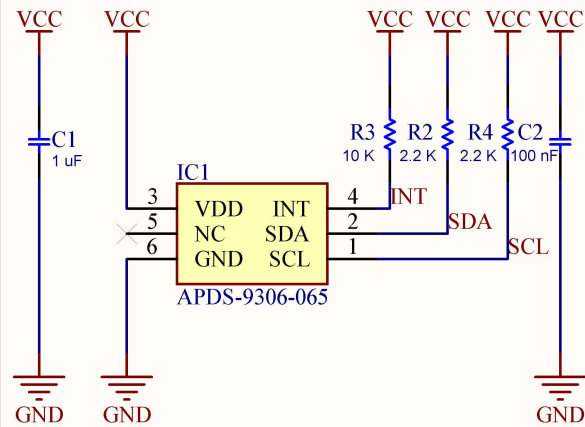
POWER



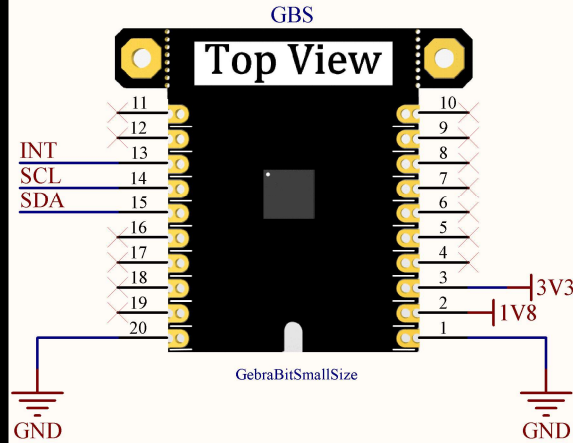
POWER LED



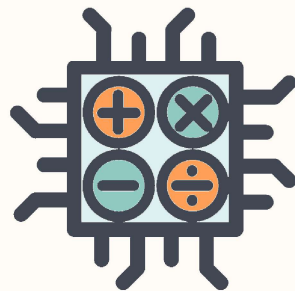
INTERRUPT LED



APDS-9306-065 CIRCUIT



GEBRABIT PINOUT



GebraBit

[HTTPS://GEBRABIT.COM/](https://gebrabit.com/)

Title: GebraBit APDS-9306-065 Schematics		Variant: [No Variations]	
Page Contents: GebraBit APDS-9306-065 Circuits		Checked by: M.Z	
Size: Small	SKU CODE: GB609EN	Revision: V2.0	
Date: 06/21/2023	Designed by: GEBRABIT	Sheet 1	of 1