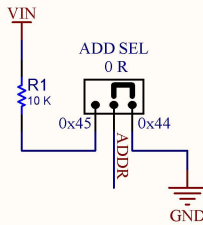


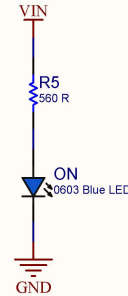
By default "VCC SEL"
jumper is shorted to the 3V3

VCC SEL

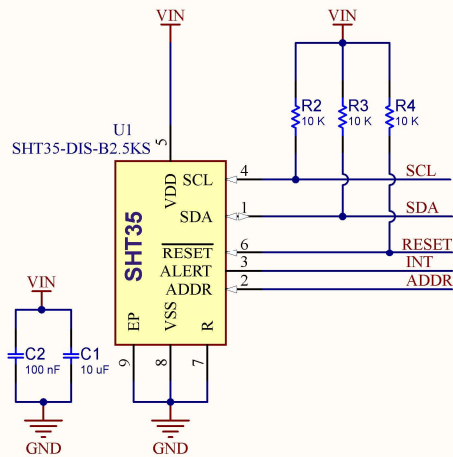


By default "ADD SEL"
jumper is shorted to the GND

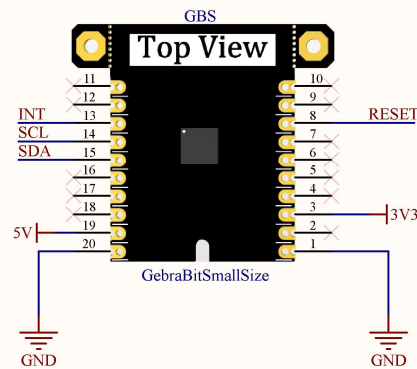
ADD SEL



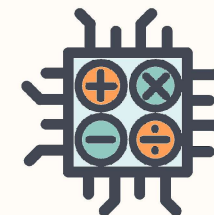
POWER LED



SHT35



GEBRABIT PINOUT



GebraBit
[HTTPS://GEBRABIT.COM/](https://gebrabit.com/)

Title: GebraBit SHT35 Schematics		Variant: [No Variations]	
Page Contents: GebraBit SHT35 Circuits		Checked by: R.A	
Size: SMALL	SKU CODE: GB624EN	Revision: V2.0	
Date: 06/17/2023	Designed by: GEBRABIT	Sheet 1	of 1